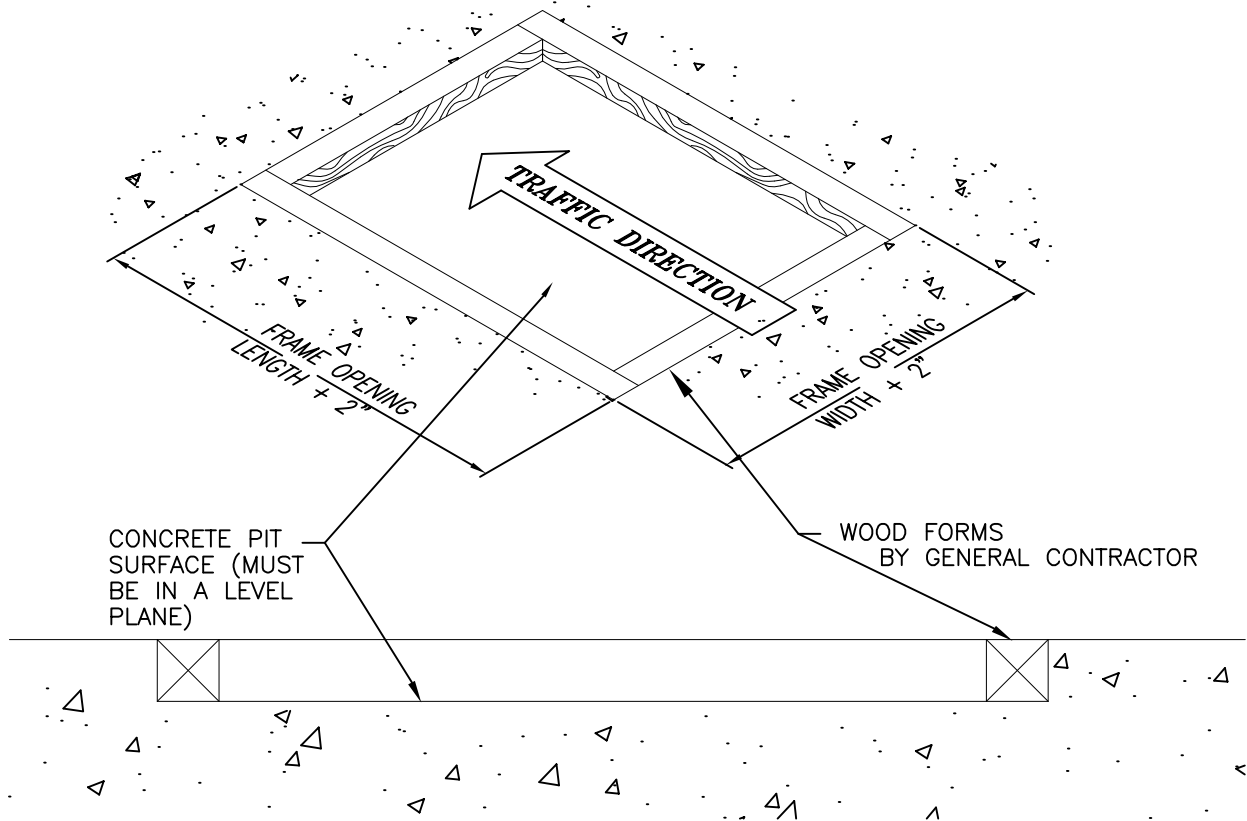


CS GROUP *INSTALLATION INSTRUCTIONS* 17C

PEDIMAT, PEDIMAT(AA) , & TREADLINE SERIES RM & SM

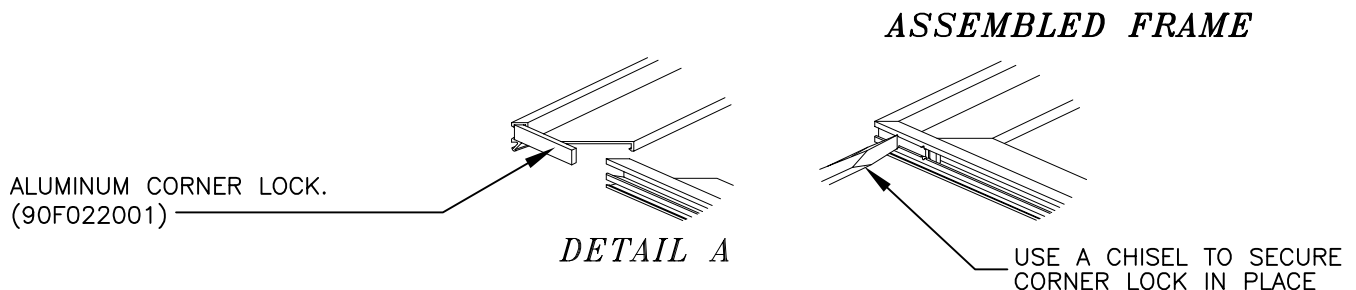
Congratulations, you have just purchased the highest quality entrance mat available. Proper installation is necessary to ensure that your warranty will be honored by Construction Specialties, Inc.

RECESSED MOUNTED MAT



1. Before beginning installation, confirm that the orientation of the tread surfaces on the mat assembly run perpendicular to the traffic direction.
2. Provide blockout in concrete 2" (50.8 mm) greater than the actual width and length of the framed mat unit. The frame depth is 3/4" (19.0 mm). Subtract finished floor depth from the frame depth and add 1/4" (6.4 mm); this dimension will be your total blockout depth.
 - The additional 1/4" (6.4 mm) allows for irregularities in the concrete base of the pit opening.
 - Irregularities beyond 1/4" (6.4 mm) will not permit the exposed frame surface and the horizontal plane of the mat surface to align properly.
3. After concrete has cured, remove wood frames.

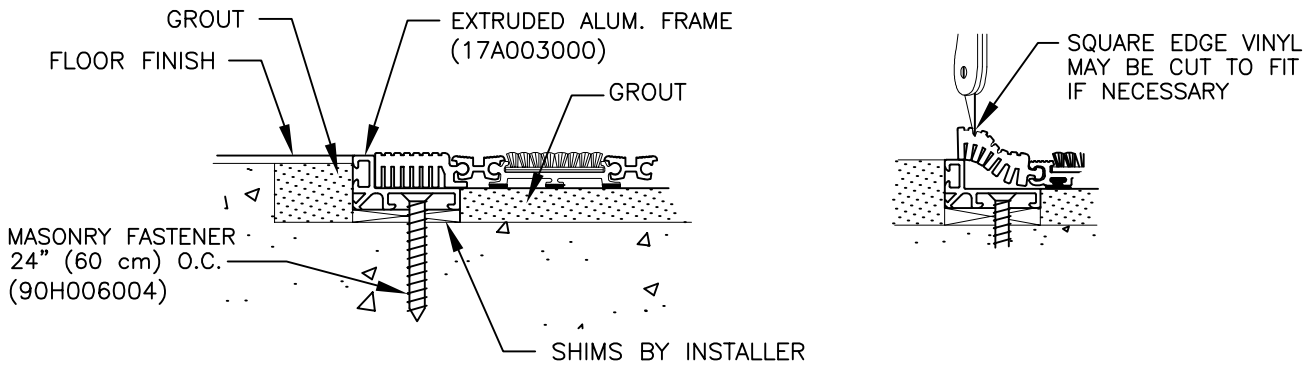
ALUMINUM FRAME ASSEMBLY



4. Assemble the pieces of the mat frame using aluminum corner locks provided.
 - * The ends of the frame pieces have been mitered to permit easy assembly. (See Detail A)
5. Center the frame assembly in the formed blockout.
 - * Note the frame assembly requires shimming to locate exposed frame surface flush with the finished floor surface.
 - * Confirm that the frame depth will accommodate the thickness of the adjacent floor finish.
6. Once the unit has been shimmed, anchor the unit in place.
7. Clean concrete blockout to remove all dirt, oily films, and debris.
8. Grout the concrete pit surface using a waterproof self-leveling grout.

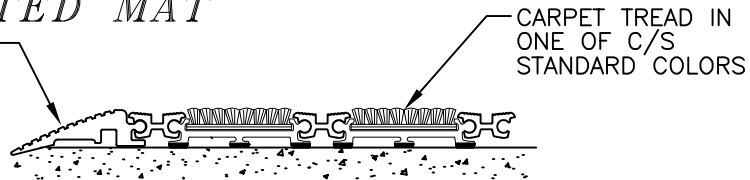
Recommended brands of grout:

 - * Quikrete #1585 mixed with #8610 acrylic fortifier
For technical assistance call Quikrete @ 404-634-9100
 - * VinylCrete with acrylic fortifier
For technical assistance call F.H. Leinweber Co. @ 708-424-9914
 - * Pour and level the grout using the legs within the framed opening as screed points.
9. Complete frame assembly installation by applying the grout between the frame and the concrete. Pour the grout flush with the surrounding concrete.
 - * Allow the grout material sufficient time to cure properly before installing the mat within the framed opening.



SURFACE MOUNTED MAT

TAPERED VINYL EDGE



1. Unroll mat in place at the specified area.

* Refer to "Velcro Anchor Application" (on reverse side) for installation of large, multi-sectioned mats.

ALTERNATE ALUMINUM FRAME

OPTIONAL ALUMINUM FRAME (17A005000)

DOUBLE-FACED TAPE (90M003002)



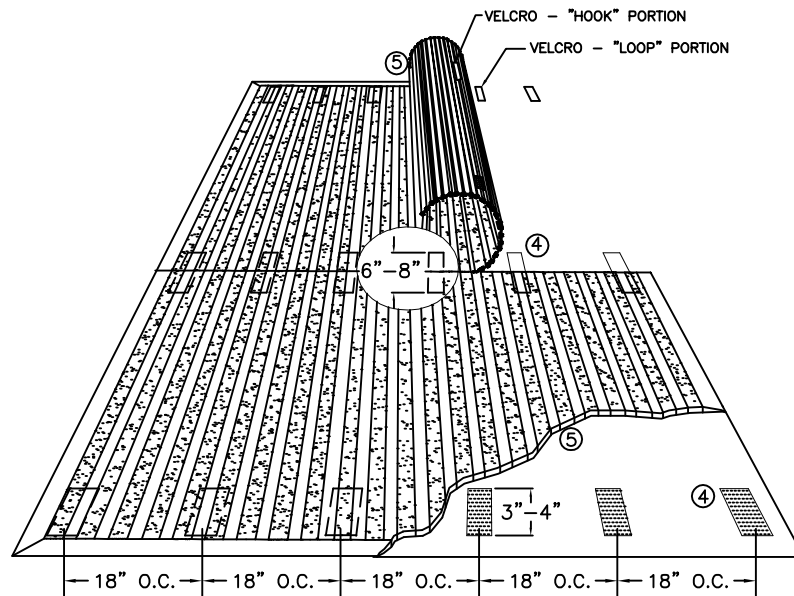
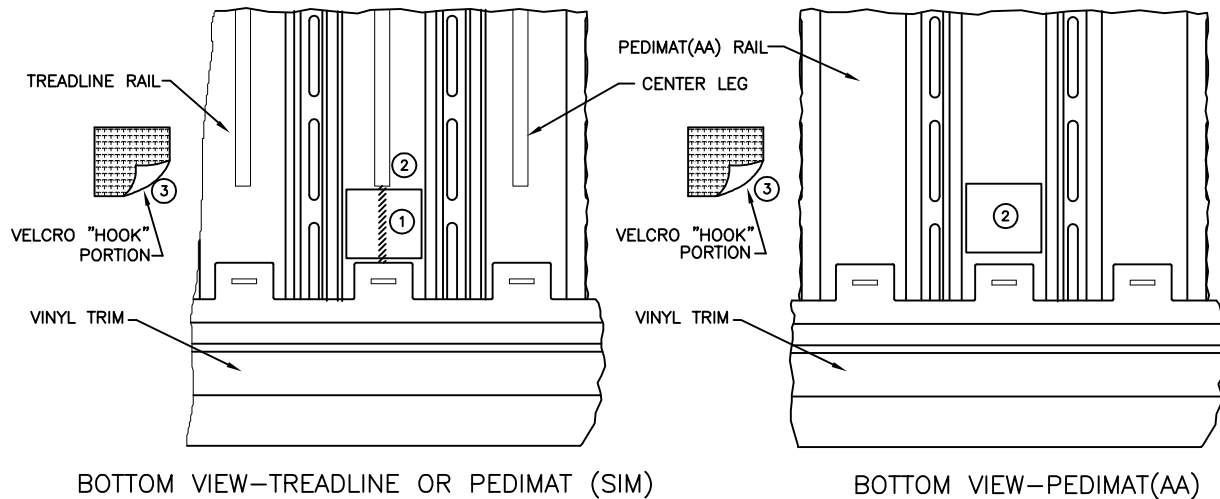
ALTERNATE PIPE STEM FRAME

NEW OR EXISTING CARPET

PIPE STEM FRAME (17A004000)

DOUBLE-FACED TAPE (90M003002)

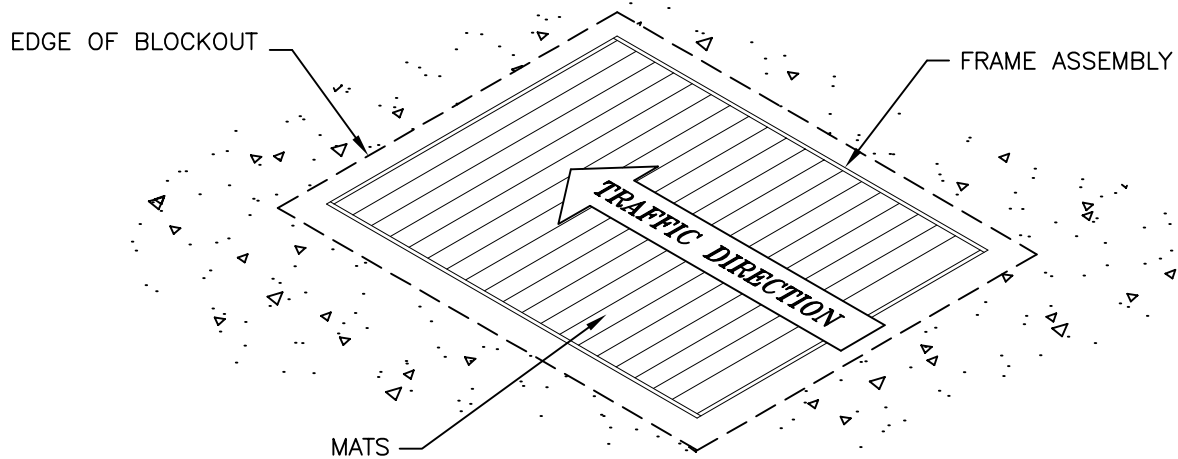




VELCRO ANCHOR APPLICATION INSTRUCTIONS (OPTIONAL)

- ①. Clean the area on the back of the rail to receive the hook and loop fastener. Alcohol or a similar solvent is suggested. It is necessary to remove the center leg on TreadLine or Pedimat units.
- ②. Peel the backing from the hook portion of the fastener and locate at 18" (.46 m) o.c. near the rail edge.
- ③. Clean the area of the floor to receive the "loop" portion of the fastener. This should fall directly under the "hook" portion installed in step #2.
- ④. Single unit installation: While lifting one edge of the unit, slide it over so when you lay it down, the loop portion will interlock with the hook.

Multiple unit installation: Install the first unit as described above. All other sections should be rolled into place gradually, lining the rails up between the velcro patches.



* The installation is now complete. It is necessary to cover the installation with 3/4" (19.0 mm) plywood until all additional project work is complete. Failure to do so allows the mat to be abused beyond its intended application and may void manufacturers warranty.

CARE AND MAINTENANCE INSTRUCTIONS

1. NEVER ROLL THE UNIT TOO TIGHTLY. When rolling the mats back for cleaning, the first rail should touch the mat at the twelfth (12) rail. This will ensure a large diameter roll which will prevent the hinge from being overstressed and damaged. The damage can cause an unevenness which could become a tripping hazard.
2. NEVER WHEEL HEAVY LOADS OVER THE MATS. Heavy loads wheeled over the mats may bend and damage the units contributing to their premature failure or creating a tripping hazard. "Heavy loads" include cars, boats, forklifts, pallet jacks, etc.
3. CLEAN THE RECESS. Roll the mats and clean the recess as frequently as necessary. This will prevent an excess build-up of dirt under the unit.
4. CLEAN THE CARPET. Cleaning of the carpet as needed will extend the life and look of your mats. Use only a light household-type carpet cleaner.
5. REPLACEMENT INSERT STYLES ARE AVAILABLE. Replacement insert styles can be purchased to renew the look and function of your mats for a fraction of the cost of replacing the entire units. Simply call us at (570)546-5941 (Muncy) or (760)734-4000 (Vista) and our sales group will assist you with pricing, color selection and installation instructions.

SPECIFIED C/S COMPONENT	C/S PART NUMBER	SPECIFIED C/S COMPONENT	C/S PART NUMBER
ASSEMBLED PEDIMAT UNITS	} PER APPROVED } SHOP DWGS	REPLACEMENT PARTS	CONTACT SALES
ASSEMBLED PEDIMAT(AA) UNITS		CARPET TREAD INSERT	19C001XXX
ASSEMBLED TREADLINE UNITS	17A003000	S/S POP RIVETS	90H011011
RECESSED ALUMINUM FRAME	17B003000	VINYL TREAD INSERT	19V002XXX
RECESSED BRONZE FRAME	17A004000	VINYL ABRASIVE TAPE ADAPTOR	19N001XXX
PIPE STEM FRAME	17A005000	VINYL ABRASIVE TAPE	19M001XXX
TAPERED ALUMINUM	90F0022001		
CORNER LOCK	90M003002		
DOUBLE-FACED TAPE	SHEET 17C		
INSTALLATION INSTRUCTIONS			

3/99

CONSTRUCTION SPECIALTIES, INC.

AND/OR

DecoGard Products, Inc.

MUNCY, PENNSYLVANIA 17756-9106
VISTA, CALIFORNIA 92083-8438
MISSISSAUGA, ONTARIO L5E 2C2

A member of the
CS GROUP
of companies

This document is the property of Construction Specialties, Inc. and contains CONFIDENTIAL PROPRIETARY INFORMATION that is not to be disclosed to third parties and is not to be used without approval in writing from Construction Specialties, Inc.

FOR FURTHER ASSISTANCE CALL 1-888-834-4455 OR FAX 570-546-5169
OR IN CANADA CALL 1-888-895-8955 OR FAX 905-274-6241